

KOMATSU®

WA50-3

NET HORSEPOWER
27.2 kW **37 HP** @ 2500 rpm

OPERATING WEIGHT
3720 kg **8,200 lb**

Utility

WA
50

COMPACT
WHEEL LOADER



Photos may include optional equipment.

WALK-AROUND

World Class Komatsu Quality

35 years of experience and technology is manufactured into every wheel loader. Komatsu's ISO certification and critical quality control ensure that every wheel loader will satisfy the most demanding customer. From design to production, from sales to service, Komatsu means total quality.

Low Noise Operation

Sound suppression materials and air intake resonator are utilized in the engine area decreasing sound output which reduces operator stress and fatigue.

Hydrostatic Transmission

Speed and dynamic braking are controlled by a single pedal providing low effort machine operation. The forward/reverse lever is mounted within easy reach of the operator.

Automatic Bucket Leveler

After dumping the bucket, the Komatsu wheel loader system has automatic return-to-dig function that improves cycle times.

Superior Stability

A long wheelbase, wide tread and rear axle oscillation result in a comfortable and stable ride in load and carry applications.

Easy Maintenance

Komatsu wheel loaders feature maintenance-free wet-disc brakes and easy opening engine covers to keep your operators productive and efficient.

Ergonomically Designed Operator Compartment

Outstanding visibility is achieved by positioning the operator above, not behind the load. This seating position allows the operator excellent bucket visibility for easy load placement. Dual entry and exit as well as conventional controls for ground drive and loader operations reduce operator fatigue and increase productivity.



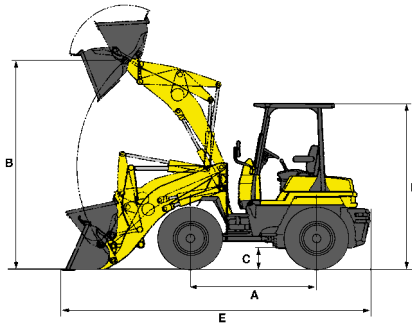
Photos may include optional equipment.

Rear Axle Oscillation

The Komatsu wheel loaders superior design offers continuous tire contact and traction assist over rough terrain for an easy ride.



DIMENSIONS



Standard tires	15.5/70-18-8PR	
Tread (Front and rear)	1250 mm	4'1"
Width over tires	1655 mm	5'5"
A Wheelbase	1850 mm	6'1"
B Hinge pin height, maximum height	3115 mm	10'3"
C Ground clearance	310 mm	12"
D Overall height, ROPS canopy	2500 mm	8'2"
E Overall length	4550 mm	14'11"

Bucket		Pin-on Bucket with Bolt-on Cutting Edge		Attachment Coupler with Bolt-on Cutting Edge		Attachment Coupler with 1219 mm 48" Pallet Forks	
Bucket capacity	SAE rated	0.6 m ³	0.75 yd³	0.6 m ³	0.75 yd³	N/A	N/A
Bucket width		1690 mm	5'7"	1665 mm	5'6"	N/A	N/A
Bucket weight (1219 mm 48" Pallet fork weight)		215 kg	473 lb	250 kg	550 lb	(172 kg)	(378 lb)
Static tipping load	Straight	2550 kg	5,830 lb	2412 kg	5,306 lb	1807 kg	3,975 lb
	Full turn 40°	2306 kg	5,073 lb	2098 kg	4,615 lb	1572 kg	3,450 lb
Operating capacity-50% of full turn tipping load		1153 kg	2,536 lb	1049 kg	2,307 lb	788 kg	1,729 lb
Dump clearance, maximum height and 45° dump angle		2140 mm	7'0"	2140 mm	7'0"	N/A	N/A
Reach at maximum height and 45° dump angle		785 mm	2'7"	785 mm	2'7"	N/A	N/A
Operating height	Fully raised	3375 mm	11'1"	3375 mm	11'1"	N/A	N/A
Turning radius*		3610 mm	11'10"	N/A	N/A	N/A	N/A
Digging depth	10°	150 mm	5.9"	150 mm	5.9"	N/A	N/A
Breakout force		3050 kg	6,720 lb	3050 kg	6,720 lb	N/A	N/A
Operating weight		3720 kg	8,200 lb	3791 kg	8,340 lb	3705 kg	8,150 lb

• All dimensions, weights, and performance values based on SAE J732c and J742b standards. Static tipping load and operating weight shown include 15.5/70-18PR tires, lubricant, coolant, full fuel tank, ROPS canopy, and operator. Machine stability and operating weight are affected by counterweight, tire size, and other attachments.

N/A - Not applicable

* Turning radius measured with bucket at carry position, outside corner of bucket.

This specification sheet may contain attachments and optional equipment that are not available in your area. Please contact your local Komatsu Utility distributor for those items you may require. Materials and specifications are subject to change without notice.

KUSS114-02

©2003 Komatsu Printed in USA

DK11(5M)C

11/03 (EV-1)

KOMATSU®

440 N. Fairway Drive
P.O. Box 8112
Vernon Hills, IL 60061



www.Komatsuutility.com

KOMATSU is a trademark of Komatsu Ltd. Japan